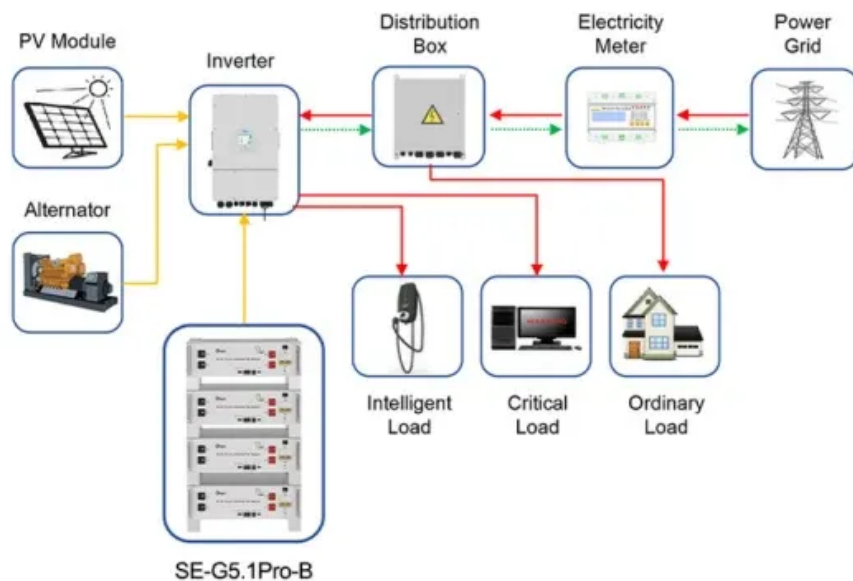


Mobile Energy Storage Container Single Phase for Shopping Malls



Application scenarios of energy storage battery products



Overview

What is a mobile solar container system?

The mobile solar container system includes solar panels, storage batteries, inverter, mounting brackets, and accessories. Solar panels collect energy from the sun and store it in the battery bank, and the inverter converts it to AC power for use.

What is HJ mobile solar container?

The HJ Mobile Solar Container comprises a wide range of portable containerized solar power systems with highly efficient folding solar modules, advanced lithium battery storage, and smart energy management.

Does a mobile solar container work with a lithium battery storage container?

The mobile solar container is designed to work seamlessly with lithium battery storage containers, allowing for efficient energy storage and use. This compatibility makes storing solar power easier when sunlight is unavailable. Lifespan is over 10 years old with reliable materials.

Why should you choose a modular solar power container?

Go big with our modular design for easy additional solar power capacity. Customize your container according to various configurations, power outputs, and storage capacity according to your needs. Lower your environmental impact and achieve sustainability objectives by using clean, renewable solar energy.

Mobile Energy Storage Container Single Phase for Shopping Malls

The mobile solar container system includes solar panels, storage batteries, inverter, mounting brackets, and accessories. Solar panels collect energy from the sun and store it in the battery bank, and the inverter converts it to AC power for use.

The HJ Mobile Solar Container comprises a wide range of portable containerized solar power systems with highly efficient folding solar modules, advanced lithium battery storage, and smart energy management.

The mobile solar container is designed to work seamlessly with lithium battery storage containers, allowing for efficient energy storage and use. This compatibility makes storing solar power easier when sunlight is unavailable. Lifespan is over 10 years old with reliable materials.

Go big with our modular design for easy additional solar power capacity. Customize your container according to various configurations, power outputs, and storage capacity according to your needs. Lower your environmental impact and achieve sustainability objectives by using clean, renewable solar energy.

The introduction of mobile energy storage in Shanghai allows for flexible energy deployment, addressing urban energy demands ...

However, single-phase ESS hybrid inverters offer several advantages, such as cost-effectiveness, energy management, and flexibility. By carefully considering the technical

...

Container Type Power Plant For Shopping Malls - Replacing fossil fuel burners with Haiqi's proprietary biomass clean renewable energy, recovering valuable by-products

(eg: biomass ...

¿Busca un vehículo cerca? Encuentre el que desea con el servicio de búsqueda de vehículos de mobile , el mayor mercado de vehículos de Alemania

Why choose LZY's solar container power systems Our solar containers ensure fast deployment, scalability, customization, cost savings, reliability, and sustainability for efficient ...

Sunrange 1mwh 2mwh 3mwh Scalable Energy Storage Unit for Factories & Shopping Malls Energy Storage Container Delivery, Find Details and Price about Large 500kw ...

Du suchst einen PKW in deiner Umgebung? Finde dein Fahrzeug mit der PKW-Suche bei: mobile - Deutschlands größter Fahrzeugmarkt

mobile App: Dein nächstes Auto aus über 1,4 Mio Angeboten finden. Gebrauchtwagen & Neuwagen. Kaufen, leasen und mehr. App hier downloaden!

Finde Gebrauchtwagen in deiner Nähe bei mobile - Größter Fahrzeugmarkt in DE Jetzt TÜV-geprüftes Traumauto kaufen oder finanzieren!

Power up your off-grid lifestyle with a mobile solar container. Find out how the Meox 20ft container with foldable solar panels can provide a reliable source of electricity in rural or remote areas.

You will find new and used cars, as well as motorhomes, motorcycles and utility vehicles at mobile - Germany's largest vehicle marketplace online

mobile ist Deutschlands größter Fahrzeugmarkt Autos kaufen, leasen & finanzieren Wohnmobile Motorräder Nutzfahrzeuge E-Bikes Jetzt finden!

High-efficiency Mobile Solar PV Container with foldable solar panels, advanced lithium battery storage (100-500kWh) and smart energy management. Ideal for remote areas, emergency ...

The Perfect Marriage: Retail Spaces Meet Energy Storage Modern malls aren't just temples of consumerism anymore. Their massive footprints (averaging 150,000-250,000 sq ft) ...

Discover the new All-in-One Single Phase (3-10kW) system launched at the Shanghai Expo. With features like high rated load power, ...

Finde Neuwagen bei mobile - Größter Fahrzeugmarkt in DE Jetzt dank Top-Angebote ein neues Traumauto finden!

????? ?????????? ?????????????? ?????????? ?????????????? ?????????? ? ?????????? ?????????? ?????????????????? ??
mobile -- ?????????????? ?????????????????????? ?????????????? ?????????????? ??????????????

The intelligent charging cabinet. [Photo/thepaper.cn] Shanghai's first intelligent mobile facility for photovoltaic storage and charging became operational on Feb 6 in the city's ...

The introduction of mobile energy storage in Shanghai allows for flexible energy deployment, addressing urban energy demands comprehensively. This system includes ...

Discover the new All-in-One Single Phase (3-10kW) system launched at the Shanghai Expo. With features like high rated load power, extended off-grid operation, superior ...

Contact Us

For catalog requests, pricing, or partnerships, please contact:

NKOSITHANDILEB SOLAR

Phone: +27-11-934-5771

Email: info@nkosithandileb.co.za

Website: <https://nkosithandileb.co.za>

Scan QR code to visit our website:

