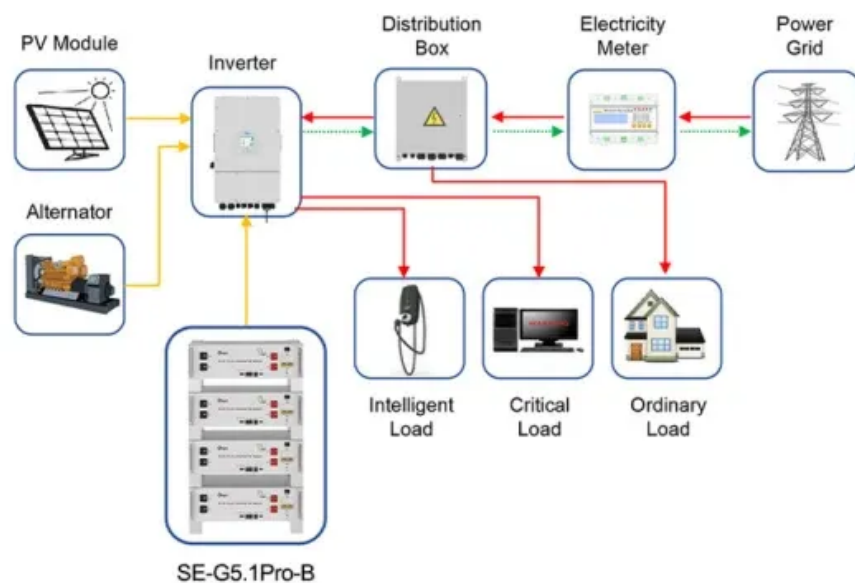


NKOSITHANDILEB SOLAR

How much does a 20kW photovoltaic container cost for a Middle Eastern island



Application scenarios of energy storage battery products



Overview

On average, a 20 kW solar panel system costs \$47,600, according to real-world quotes on the EnergySage Marketplace from 2025 data. How much does a 20kW Solar System cost?

Based on current electricity costs, you can expect a 20% return on your investment per year on the panels alone. The typical cost of a 20kW solar system is approximately \$40,000. However, it is important to note that prices have come down substantially over the past decade, making solar energy more affordable for a wider range of consumers.

How much electricity does a 20 kW solar system produce?

A 20 kW solar panel system produces about 29,033 kWh of electricity annually, but the exact amount depends on where you live and how much sun you get. DIYing a 20 kW solar panel system usually isn't your best bet: You're much better off hiring a professional solar company for optimal results. How much does a 20 kW solar system cost?

.

Can a 20kW solar system save you money?

Investing in a 20kW solar system can lead to significant savings on your electricity bills. On average, a 20kW solar system can save you up to \$6,205 per year. Over the course of its 25-year panel lifetime, you could save a whopping \$155,125. The cost of electricity has been steadily increasing over the past 40 years.

How many square feet is a 20kW Solar System?

Considering that each solar panel occupies 17 square feet and you will need a total of 67 panels, a 20kW solar system will have a total footprint of 1133 square feet. How Many kWh Does a 20kW Solar System Produce?

How much does a 20kW photovoltaic container cost for a Middle East

Based on current electricity costs, you can expect a 20% return on your investment per year on the panels alone. The typical cost of a 20kW solar system is approximately \$40,000. However, it is important to note that prices have come down substantially over the past decade, making solar energy more affordable for a wider range of consumers.

A 20 kW solar panel system produces about 29,033 kWh of electricity annually, but the exact amount depends on where you live and how much sun you get. DIYing a 20 kW solar panel system usually isn't your best bet: You're much better off hiring a professional solar company for optimal results. How much does a 20 kW solar system cost?

Investing in a 20kW solar system can lead to significant savings on your electricity bills. On average, a 20kW solar system can save you up to \$6,205 per year. Over the course of its 25-year panel lifetime, you could save a whopping \$155,125. The cost of electricity has been steadily increasing over the past 40 years.

Considering that each solar panel occupies 17 square feet and you will need a total of 67 panels, a 20kW solar system will have a total footprint of 1133 square feet. How Many kWh Does a 20kW Solar System Produce?

How Much Will a 20kW Solar System Save? Investing in a 20kW solar system can lead to significant savings on your electricity bills. On average, a 20kW solar system can save ...

How Much Will a 20kW Solar System Save? Investing in a 20kW solar system can lead to significant savings on your electricity bills. ...

For the third time in a decade, solar energy prices are tumbling in the Arabian Gulf. As

demand for solar installations picks up ...

Shipping container cost varies from \$500 to \$5,000. Read on to learn how much you should spend on different types and sizes...

How much does a 20 kW solar system cost? On average, a 20 kW solar panel system costs \$47,600, according to real-world quotes ...

Additionally, factors such as the choice of other components, brand, and quality significantly influence the overall price range. Now, in ...

How Much Does a 20kW Solar System Cost? Investing in a solar system is a significant decision for homeowners and businesses alike. A 20kW solar system is an excellent choice for large ...

Current Trends in the Middle Eastern Solar PV Market with many benefits -- light, warmth, and the energy needed to power our world. In the Middle East and around ic (PV) ...

Discover how much a shipping container costs and what factors impact the price, from size and condition to location and market demand. Learn how ...

Calculate your shipping container cost easily with our Shipping Container Cost Calculator. Get accurate rates for 20' & 40' containers and sea freight.

Get factory costs of 12kw, 15kw, 18kw, 20kw, and 25kw solar system at PVMARS. We provide solar kits installation, customization, and one-stop services.

Explore market trends, pricing, and applications for solar energy storage containers through 2025. Learn about key cost drivers, technological advancements, and practical

uses in ...

Solar Installed System Cost Analysis NLR analyzes the total costs associated with installing photovoltaic (PV) systems for residential rooftop, commercial rooftop, and utility-scale ...

What Drives Solar Container Costs? Solar container systems - those all-in-one power stations combining photovoltaic panels, batteries, and inverters in shipping containers - have become ...

How much does a used shipping container cost The price of a used container varies depending on factors such as condition, wear and ...

FAQs HOW DOES A 20KW SOLAR PANEL SYSTEM WORK? A 20kW solar panel system works by converting sunlight into electricity ...

Solar Installed System Cost Analysis NLR analyzes the total costs associated with installing photovoltaic (PV) systems for residential ...

Wondering what a solar container system costs? Explore real-world price ranges, components, and examples to understand what ...

A 20kw system would cost approximately EUR36,000 - EUR56,000, and a 100kw system could be in the range of EUR180,000 - EUR280,000. In Eastern Europe, countries like Poland and ...

For the third time in a decade, solar energy prices are tumbling in the Arabian Gulf. As demand for solar installations picks up dramatically, so falls the cost of solar energy, ...

Experts say solar could help- it is cost-competitive,it is quicker to install and can be

deployed either at scale for large communities, or in a modular way on rooftops, or for small factories. ...

Explore market trends, pricing, and applications for solar energy storage containers through 2025. Learn about key cost drivers, ...

How much does a 20 kW solar system cost? On average, a 20 kW solar panel system costs \$47,600, according to real-world quotes on the EnergySage Marketplace from ...

How Much Energy Does a 20kW System Produce? Depending on where in Australia (or around the world) you are, a 20kW solar system will produce ...

Wondering what a solar container system costs? Explore real-world price ranges, components, and examples to understand what impacts total cost--and if it's worth the ...

Contact Us

For catalog requests, pricing, or partnerships, please contact:

NKOSITHANDILEB SOLAR

Phone: +27-11-934-5771

Email: info@nkosithandileb.co.za

Website: <https://nkosithandileb.co.za>

Scan QR code to visit our website:

