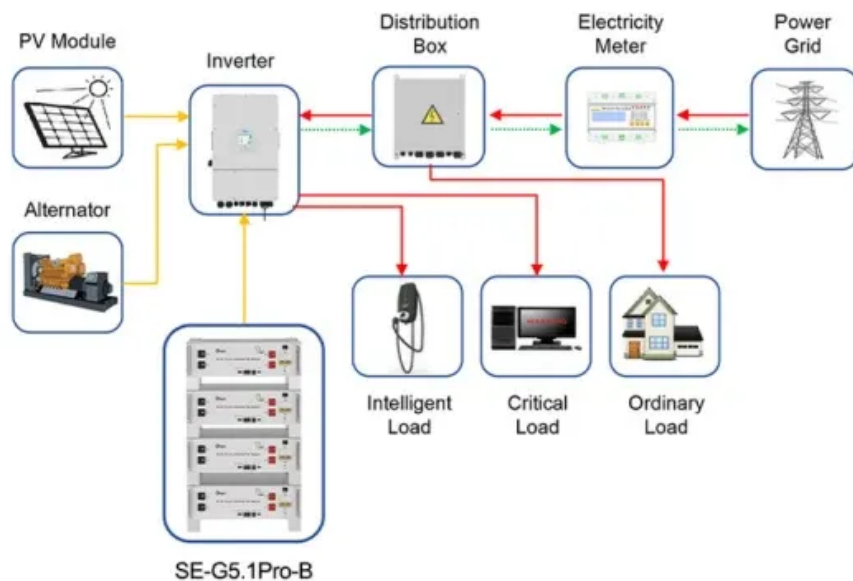


NKOSITHANDILEB SOLAR

Featured solar container energy storage system is worth recommending



Application scenarios of energy storage battery products



Overview

What are the benefits of combining solar containers with smart grid systems?

Integration with smart grid systems and energy storage solutions: Explore the benefits of combining solar containers with smart grid technologies and advanced energy storage solutions for enhanced efficiency and control. Solar energy containers offer a reliable and sustainable energy solution with numerous advantages.

What is a Solax containerized battery storage system?

SolaX containerized battery storage system delivers safe, efficient, and flexible energy storage solutions, optimized for large-scale power storage projects. As the world increasingly transitions to renewable energy, the need for effective energy storage solutions has never been more pressing.

Are solar energy containers a viable energy solution?

Solar energy containers offer a reliable and sustainable energy solution with numerous advantages. Despite initial cost considerations and power limitations, their benefits outweigh the challenges. As technology continues to advance and adoption expands globally, the future of solar containers looks promising.

What are self-contained solar energy containers?

From portable units to large-scale structures, these self-contained systems offer customizable solutions for generating and storing solar power. In this guide, we'll explore the components, working principle, advantages, applications, and future trends of solar energy containers.

Featured solar container energy storage system is worth recommen

Integration with smart grid systems and energy storage solutions: Explore the benefits of combining solar containers with smart grid technologies and advanced energy storage solutions for enhanced efficiency and control. Solar energy containers offer a reliable and sustainable energy solution with numerous advantages.

SolaX containerized battery storage system delivers safe, efficient, and flexible energy storage solutions, optimized for large-scale power storage projects. As the world increasingly transitions to renewable energy, the need for effective energy storage solutions has never been more pressing.

Solar energy containers offer a reliable and sustainable energy solution with numerous advantages. Despite initial cost considerations and power limitations, their benefits outweigh the challenges. As technology continues to advance and adoption expands globally, the future of solar containers looks promising.

From portable units to large-scale structures, these self-contained systems offer customizable solutions for generating and storing solar power. In this guide, we'll explore the components, working principle, advantages, applications, and future trends of solar energy containers.

What is a Containerized Energy Storage System? A Containerized Energy Storage System (ESS) is a modular, transportable energy solution that integrates lithium battery packs, ...

Fold-out solar panels with wing-like spread Zero-emission back-up via hydrogen storage modules Microgrids based on blockchain ...

Energy storage system: Discover the importance of batteries in storing excess solar energy for uninterrupted power supply. Charge ...

Learn about containerized energy storage systems (CESS) for solar energy storage. Discover their benefits, components, and real ...

Fold-out solar panels with wing-like spread Zero-emission back-up via hydrogen storage modules Microgrids based on blockchain using container networks These are not ...

As the world increasingly transitions to renewable energy, the need for effective energy storage solutions has never been more pressing. A Containerized Battery Energy ...

Enter solar container energy storage - the Swiss Army knife of renewable energy. These 40-foot marvels combine solar panels with industrial-grade batteries, delivering ...

Explore the benefits and technology behind containerized off-grid solar storage systems. Learn how these scalable, cost-efficient solutions provide reliable power and energy ...

In the contemporary energy landscape, the solar container has emerged as a significant and evolving innovation, gradually shaping the future of energy supply and ...

Essentially, a shipping container energy storage system is a portable, self-contained unit that provides secure and robust storage for electricity generated from ...

Learn about containerized energy storage systems (CESS) for solar energy storage. Discover their benefits, components, and real-world applications in renewable energy, ...

Energy storage system: Discover the importance of batteries in storing excess solar energy for uninterrupted power supply. Charge controller: Understand how charge ...

As the world increasingly transitions to renewable energy, the need for effective energy storage solutions has never been more ...

What is Container Energy Storage? Container energy storage, also commonly referred to as containerized energy storage or container battery storage, is an innovative ...

Explore the benefits and technology behind containerized off-grid solar storage systems. Learn how these scalable, cost-efficient ...

Contact Us

For catalog requests, pricing, or partnerships, please contact:

NKOSITHANDILEB SOLAR

Phone: +27-11-934-5771

Email: info@nkosithandileb.co.za

Website: <https://nkosithandileb.co.za>

Scan QR code to visit our website:

